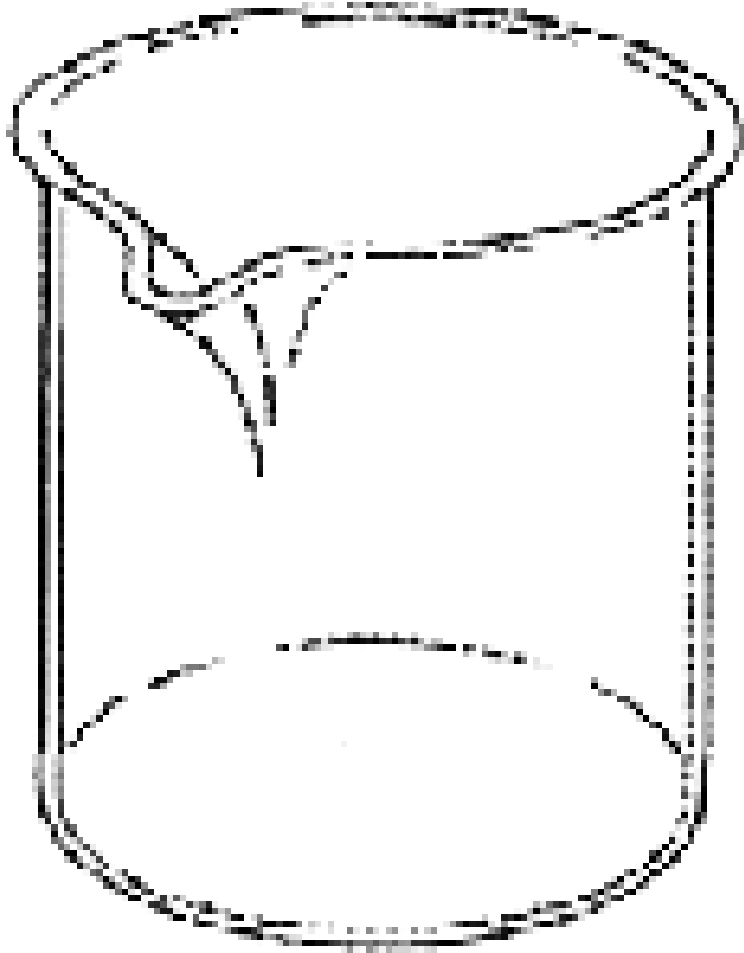


Safety Goggles

.Must be worn when working with chemicals, heating substances, or there is a chance of flying debris.



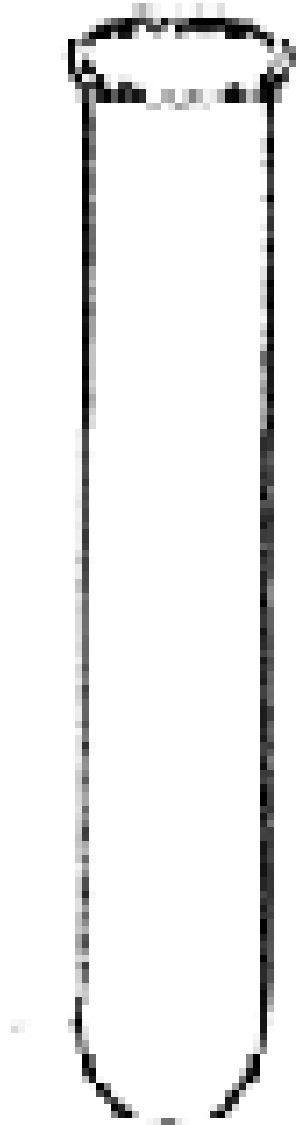
beaker



.Used to contain a liquid while mixing, heating, cooling, etc.

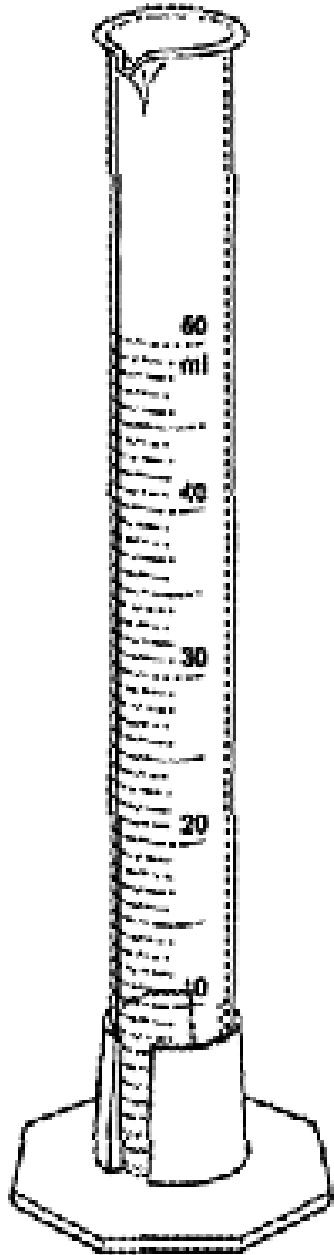
.NOT ACCURATE FOR MEASURING!

Test Tube



.Used for holding small amounts of a substance while mixing, heating, cooling, etc.

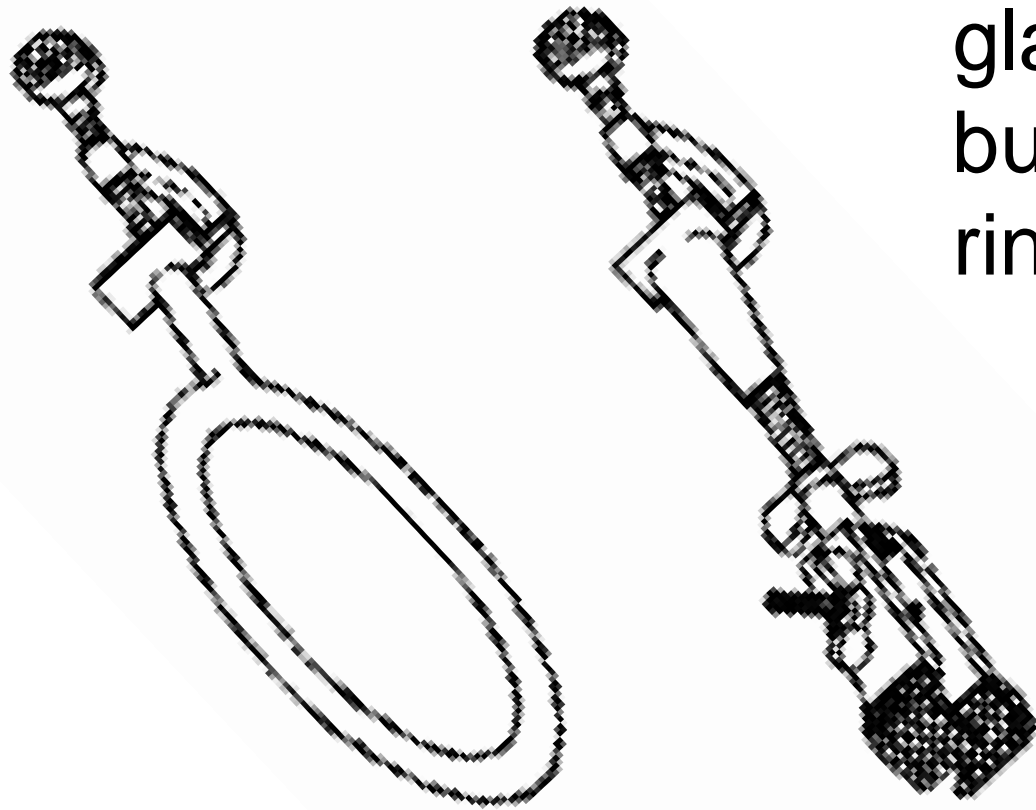
Graduated Cylinder



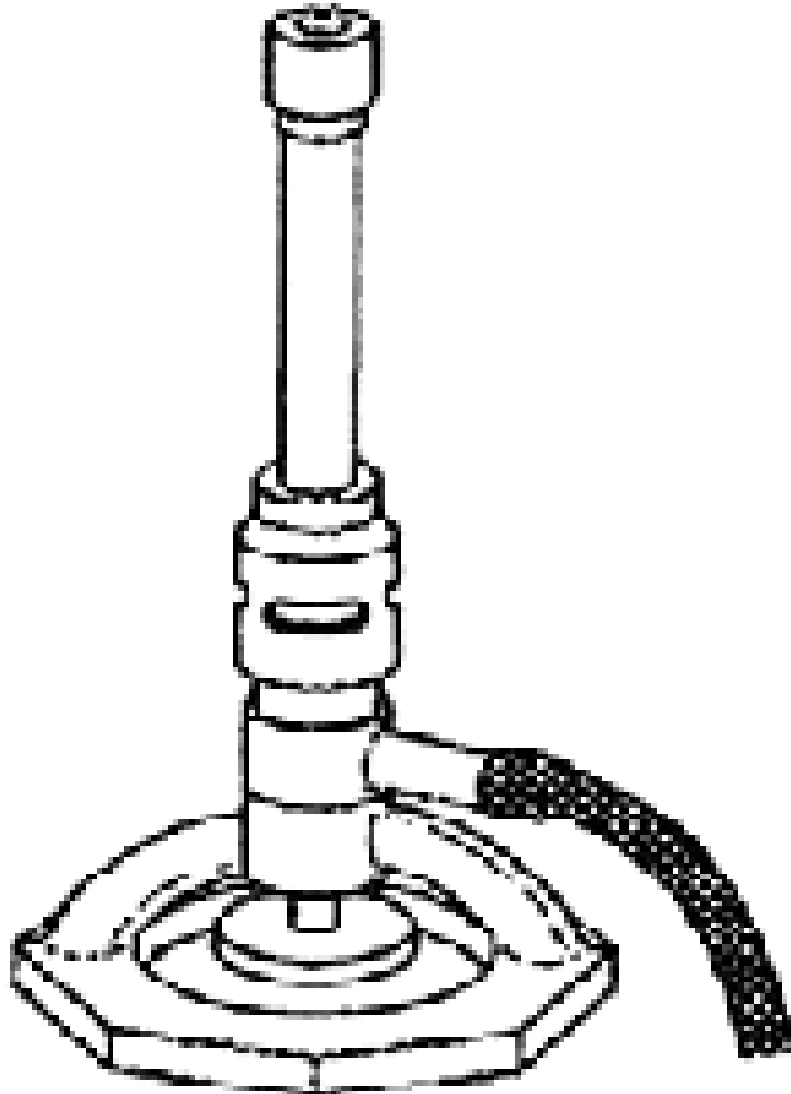
.THE ONLY piece of glassware that can be used to ACCURATELY measure a liquid.

Utility clamp and Ring clamp

.Used to grasp or support various types of glassware over a burner, or on a ringstand.

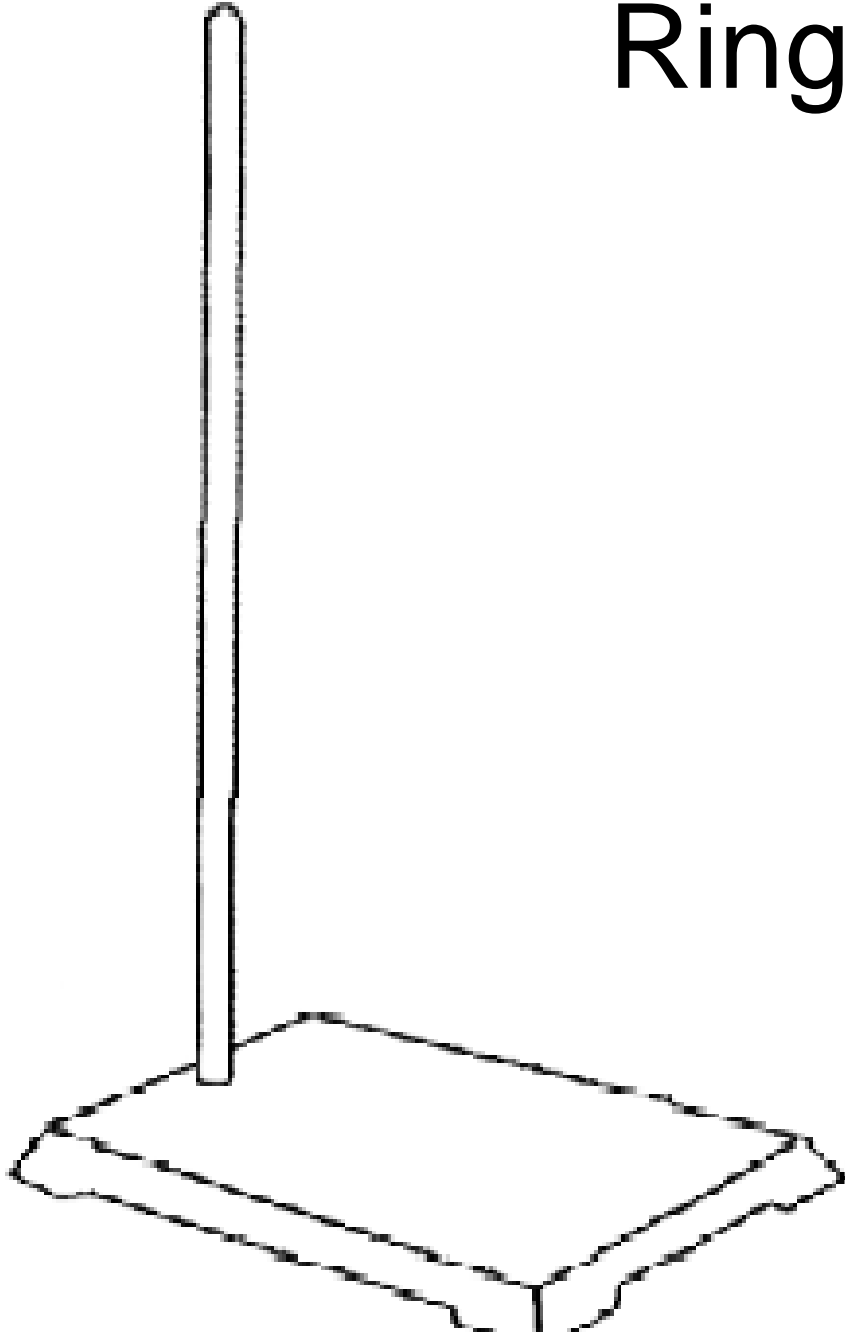


Bunsen Burner



.Attached to a gas outlet, and used to heat substances and to do flame tests.

Ring Stand



.Used with various types of clamps to support things like funnels, burets, flasks, and beakers.

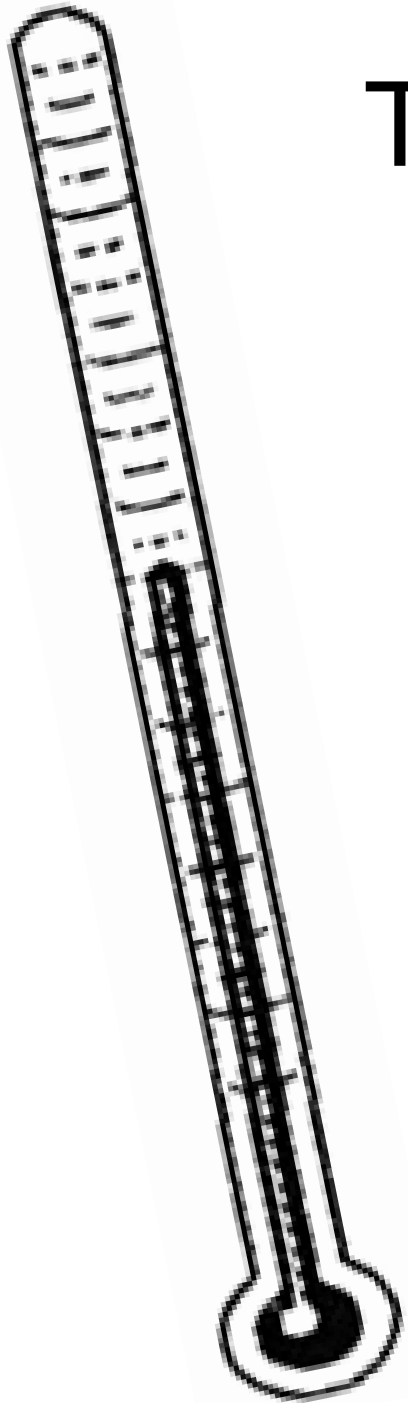
Striker



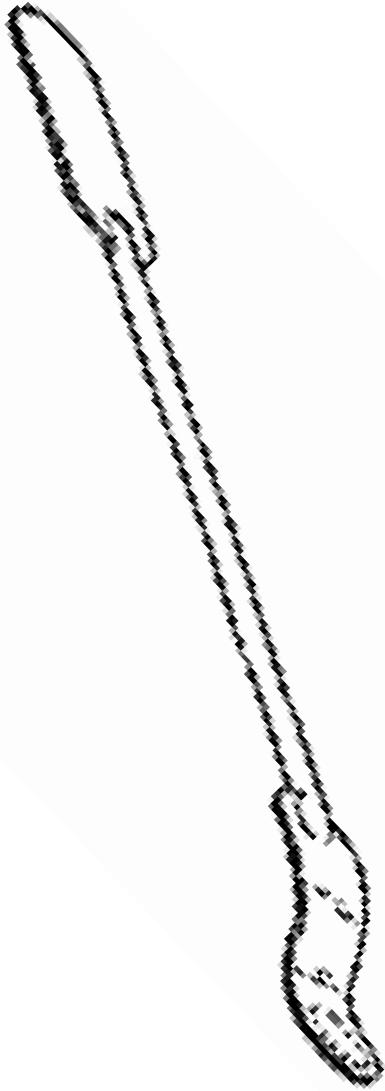
Used to light Bunsen burners – squeezing the handle drags a flint across a steel rasp inside the cup. This produces a spark

Thermometer

.Used to measure the temperature of a substance.



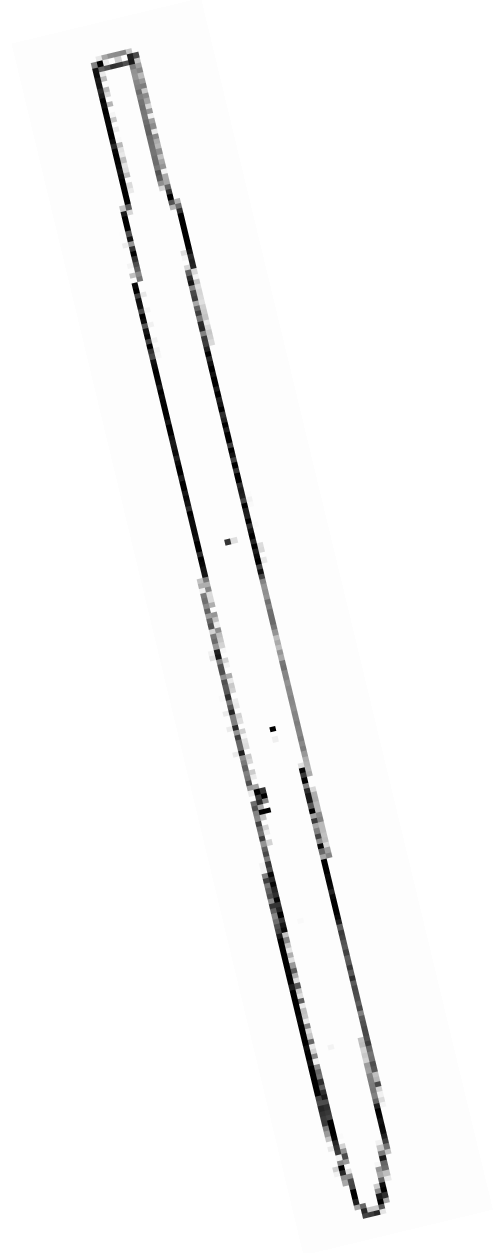
Spatula



.Used to pick up and move small amounts of a powder and to scrape the sides of a container.

Stirring rod

•A glass rod that is used to stir chemicals.



Plastic pipette

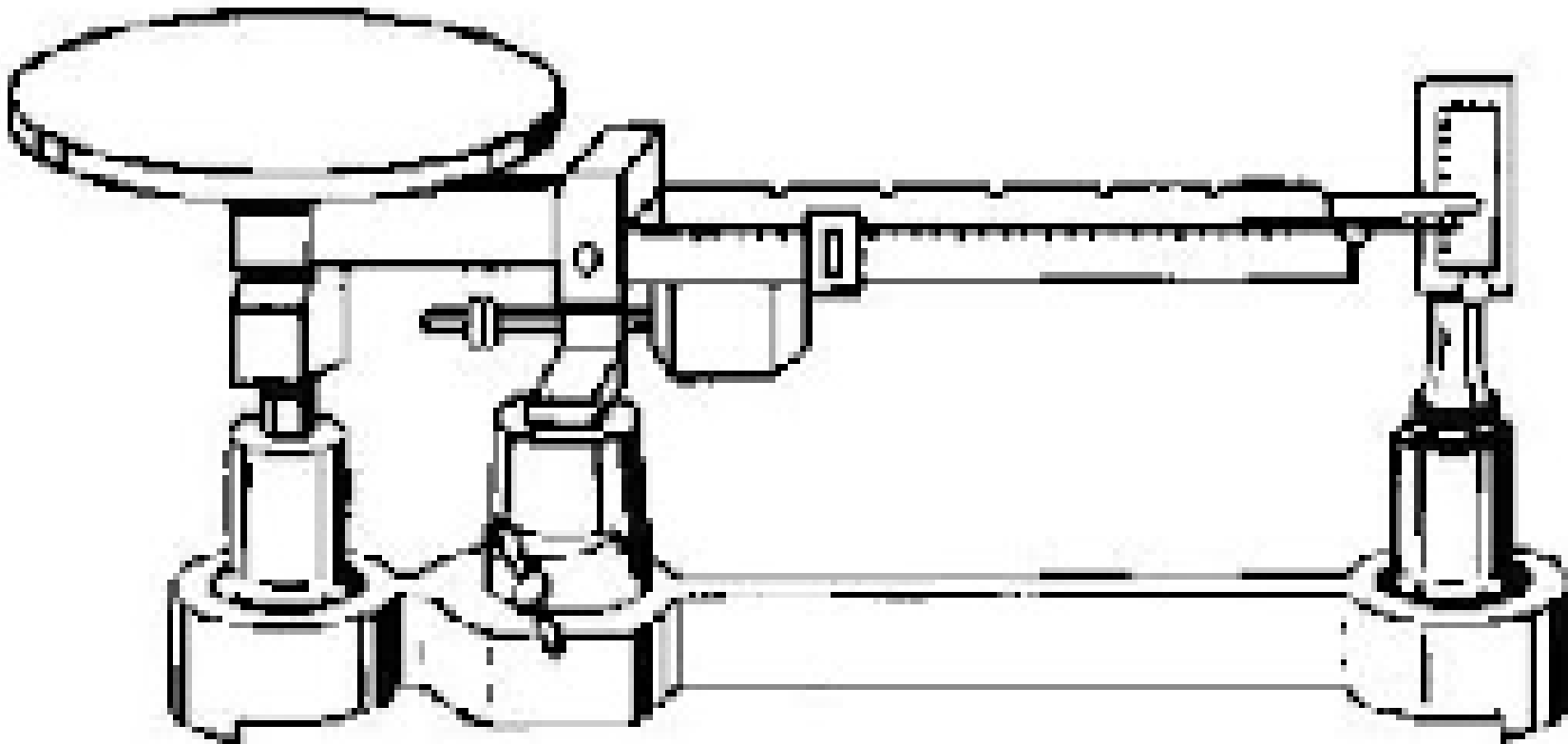
.A small, plastic disposable dropper.

.Some have markings that can be used to roughly measure small liquid amounts.

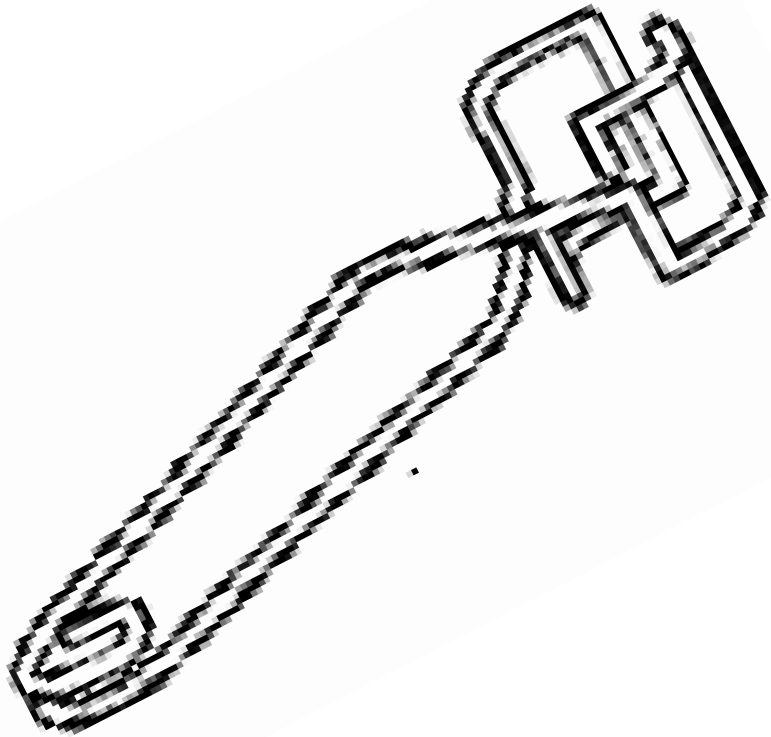


Triple Beam Balance

.Used to measure the mass of an object or substance.



Test Tube Clamp



.Works like a clothespin to grasp and hold a test tube over a flame.

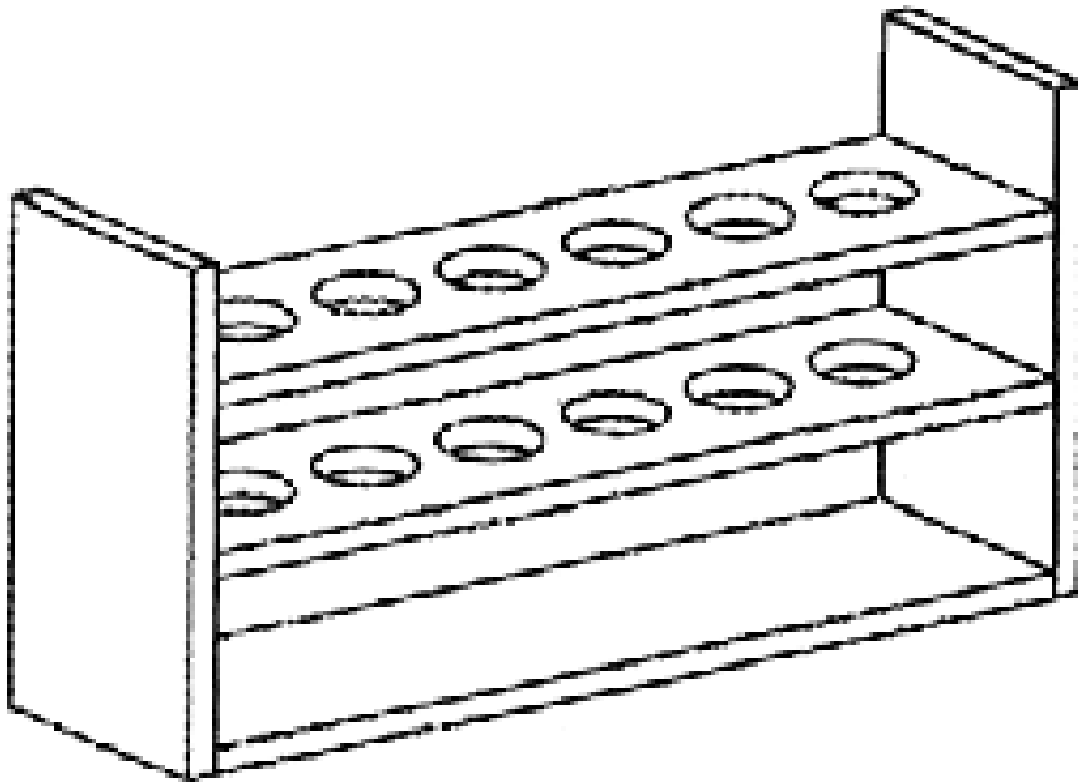
Test Tube Brush

.Used to clean test tubes and small graduated cylinders.



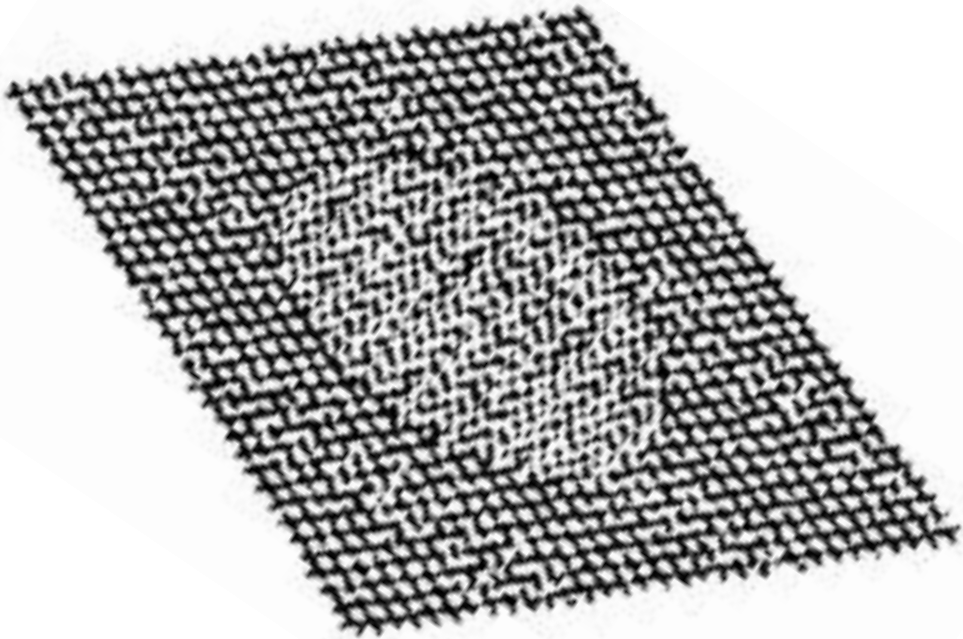
Test Tube Rack

.Frame that is designed to hold multiple test tubes.



Wire Mesh Square

.Placed on a ring stand.
Glassware is placed on
top of the square, over a
burner.



tongs

.Used to grasp and
move hot objects.



Digital balance

Used to measure the mass of an object or substance.

very accurate for small amounts of a substance.



Spring scale

Used to measure the weight of an object in Newtons or pounds.

